

CAMSHAFTS



RH Camsha
Head View



Type 1 Head =
1 3/8" Measurement

LH Camshaft
Head View



Type 2 Head =
1 1/8" Measurement

Drive Axle

Part # (LH / RH)	A	B	C	Head Type	Jrnl. Dia.	Cam Kit
1-1/2" Dia. 10 Spline						
04-451122 / 04-551121	11-1/8"			2	1-1/2"	E-2086B
04-451151 / 04-451152	11-33/64"			2	1-1/2"	E-2086B
1-1/2" Dia. 28 Spline						
04-481152 / 04-481151	11-9/16"			2	1-1/2"	E-9080
04-481212 / 04-481212	11-15/16"			2	1-1/2"	E-3993B

Trailer Axle

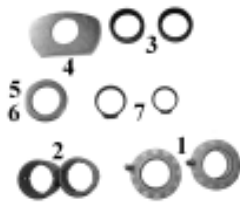
Part # (LH / RH)	A	B	C	Head Type	Jrnl. Dia.	Cam Kit
1-1/2" Dia. 10 Spline						
04-572412 / 04-572411	24"	2-7/32"		1	1-1/2"	E-2088AHD(MERITOR) E-2287(SPICER-STD.FORGE)
1-1/2" Dia. 28 Spline						
04-861122 / 04-861121	11-1/32"	2-5/16"		1	1-1/2"	E-9791HD(1-7/8" O.D.) E-11450HD(2" O.D.)
04-891732 / 04-891731	17-5/16"	1-45/64"		2	1-5/8"	E-3520A or AHD
04-931732 / 04-091731	17-5/16"	1-31/32"		2	1-5/8"	E-9078HD
04-581742 / 04-581741	17-7/16"	1-5/8"	2-7/32"	2	1-1/2"	E-2287
04-932042 / 04-932041	20-13/32"	1-45/64"		2	1-5/8"	E-3520A or AHD E-3989AHD
04-582042 / 04-582041	20-3/8"	1-5/8"	2-7/32"	1	1-1/2"	E-2287
04-562042 / 04-562041	20-7/16"	2-1/4"		2	1-5/8"	E-9790A
04-582352 / 04-582351	23-7/16"	1-5/8"	2-7/32"	1	1-1/2"	E-2287
04-602352 / 04-602351	23-9/16"	1-5/8"	2-7/32"	2	1-1/2"	E-2287
04-562352 / 04-562351	23-9/16"	2-1/4"	2-1/4"	2	1-5/8"	E-9790A
04-932422 / 04-932421	24-1/16"	1-31/32"		2	1-5/8"	E-9078HD
04-602412 / 04-602411	24-1/16"	1-5/8"	2-7/32"	2	1-1/2"	E-2287

A = Measurement from Under Head to Lock Ring

B = Measurement from Under Head to First Groove

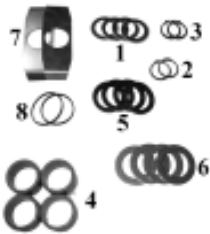
C = Measurement from Under Head to Second Groove

CAMSHAFT AXLE REPAIR KITS



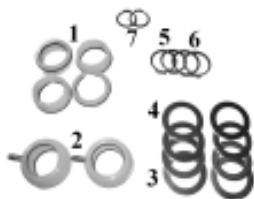
Kit #E-5307 **Application: 12.25" Dana / Spicer "U" Brake**

Item	Part #	Description	Item	Part #	Description
1	E-2102	Bushing	5	E-580	Spacer
2	E-807	Bronze Bushing	6	E-2409	Spacer
3	E-1416A	Seal	7	E-526	Lock Ring
4	E-2404	D Washer			



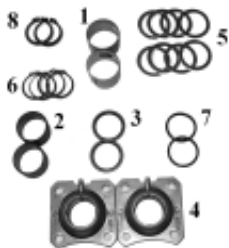
Kit #E-3993B **Application: Meritor Drive Axle w/ 16.5" Q/Q-Plus Brake**

Item	Part #	Description	Item	Part#	Description
1	E-1113	Washer	5	E-654	Seal
2	E-801	Lock Ring	6	E-3479	Spacer
3	E-5093	Lock Ring	7	E-3478	Wear Washer
4	E-5512	Bushing	8	E-3859	Seal



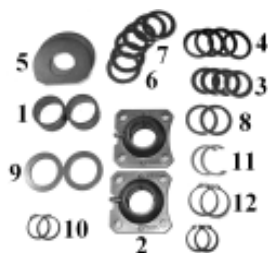
Kit #E-2090 **Application: Fruehauf Axles w/ 16.5" Brakes**

Item	Part #	Description	Item	Part#	Description
1	E-1567	Spider Bushing	5	E-1569	Cam Lock Ring
2	E-1577A	Bushing	6	E-526	Cam Lock Ring
3	E-580	Spacer	7	E-801	Lock Ring
4	E-1565	Spacer			



Kit #E-2088AHD **Application: Meritor Trailer Axle w/ "P" Brake**

Item	Part #	Description	Item	Part #	Description
1	E-2380	Cam Outer Bushing	5	E-564	Cam Spacer
2	E-1271	Cam Inner Bushing	6	E-526	Cam Lock Ring
3	E-1272	Cam Seal	7	E-1416	Cam Seal
4	E-1318	Cam Bracket	8	E-4736	Cam Lock Ring



Kit #E-9078HD **Application: Meritor Trailer Axles w/ Q & Q+ Brakes
w/ Press In Bushings**

Item	Part #	Description	Item	Part#	Description
1	E-6080	Cam Bushings	7	E-564	Cam Washer
2	E-1318	Cam Bracket	8	E-9074	Cam Washer
3	E-2405	Cam Seal	9	E-9075	Cam Washer
4	E-2411A	Cam Spacer	10	E-5093	Cam Lock Ring
5	E-9073	Cam Head Washer	11	E-1569	Cam Lock Ring
6	E-1113	Washer	12	E-9077	Cam Lock Ring



CAMSHAFT AXLE REPAIR KITS

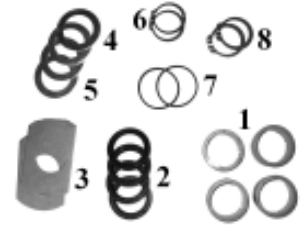
Kit #E-2469 Application: Spicer / Standard Forged Axles w/ 12.25" Brakes

Item	Part #	Description	Item	Part #	Description
1	E-580	Spacer	5	E-526	Lock Ring
2	E-581	Spacer	6	E-759	Spider Bushing
3	E-1416A	Seal	7	E-2102	Bushing
4	E-2404	D Washer	8	E-2409	Spacer



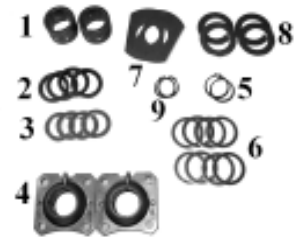
Kit #E-2086B Application: Meritor Drive Axle w/ 16.5" "P" Brake

Item	Part #	Description	Item	Part#	Description
1	E-5512	Bushing	5	E-581	Washer
2	E-654	Seal	6	E-526	Lock Ring
3	E-656	D Washer	7	E-3859	Seal
4	E-580	Washer	8	E-4736	Lock Ring



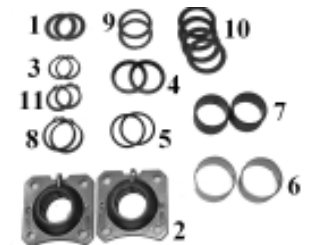
Kit #E-11450HD Application: Hendrickson Intraax w/ 16.5" Brakes

Item	Part #	Description	Item	Part#	Description
1	E-11449	Bronze Bushing	6	E-564	Cam Spacer
2	E-11451	Cam Seal	7	E-656	Cam D Washer
3	E-1113	Washer	8	E-719	Cam Washer
4	E-1318	Cam Bracket	9	E-801	Lock Ring
5	E-2720	Cam Lock Ring			



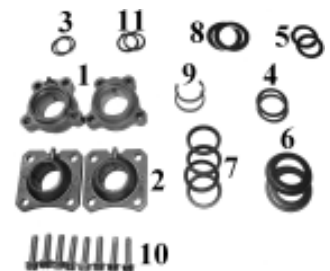
Kit #E-3520AHD Application: Meritor Series Trailer Axle w/ 16.5" Brakes

Item	Part #	Description	Item	Part #	Description
1	E-564	Cam Washer	7	E-2408	Cam Inner Bushing
2	E-1318	Cam Bracket	8	E-1569	Cam Lock RING
3	E-801	Lock Ring	9	E-1113	Washer
4	E-2405	Cam Seal	10	E-2411A	Cam Spacer
5	E-2406	Cam Seal	11	E-5093	Cam Lock Ring
6	E-2407	Cam Outer Bushing			



Kit #E-9079HD Application: Meritor Trailer Axles w/ Q & Q+ Brakes w/ Bolt In Bushings

Item	Part #	Description	Item	Part#	Description
1	E-6076	Cam Bushing	7	E-2405	Cam Seal
2	E-1318	Cam Bracket	8	E-9072	Cam Washer
3	E-5093	Cam Lock Ring	9	E-9077	Cam Lock Ring
4	E-1113	Washer	10	NSS	Attaching Screws (Not Sold Separately)
5	E-564	Cam Washer	11	E-801	Lock Ring
6	E-6077	Cam Washer			



SLACK ADJUSTERS

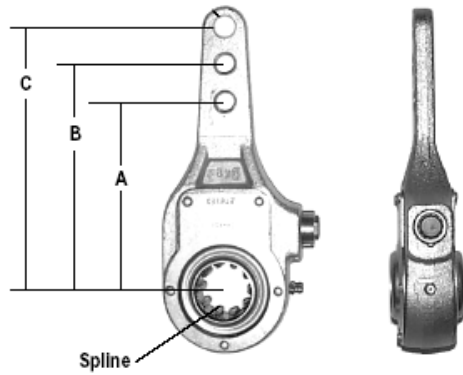


Fig. 1

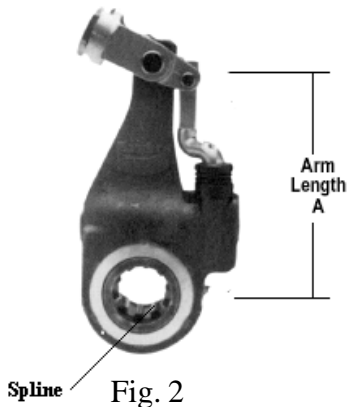


Fig. 2

Manual Slack Adjusters

Part #	Fig.#	A	B	C
<u>1-1/4" - 10 Spline</u>				
278302	1	4-1/2"	5-1/2"	
<u>1-1/2" - 10 Spline</u>				
278326	1	5-1/2"	6-1/2"	
278323	1	5"	6"	7"
<u>1-1/2" - 28 Spline</u>				
288753	1	5-1/2"	6-1/2"	
286965	1	5"	6"	7"
<u>1-5/8" - 37 Spline</u>				
283411	1	6"		

Automatic Slack Adjusters

Part #	Fig.#	A
<u>1-1/2" - 10 Spline</u>		
065170	2	5-1/2"
065172	2	6"
<u>1-1/2" - 28 Spline</u>		
065174	2	5-1/2"
065175	2	6"
<u>1-1/2" - 37 Spline</u>		
065177	2	6"

Interchange

Midland = Bendix
 KN47001 278323
 KN47011 278326
 KN44051 286965
 KN44061 288753
 KN48031 278302
 KN44041 283411

Crewson-Brunner = Bendix
 CI-41100 065170
 CI-41106 065172
 CI-42100 065174
 CI-42106 065175

Gunite = Bendix
 AS1033 065172
 AS1044 065177
 AS1032 065170
 AS1040 065174



SPRING BRAKES

Spring Actuators

Combination Units

Part Number	Fig.#	Chamber Type	Diaphragm #	Clamp #
GC2424	1	24/24	151-24	2464004
GC2430	1	24/30	151-30	CB30S1
3030SB	1	30/30	151-30	CB30S1
3430051	1	30/30	151-30	CB30S1
K022883	---	30/30LS		

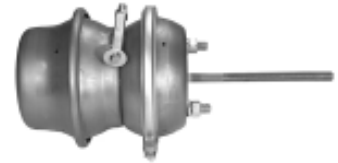


Fig. 1

Piggybacks

Part Number	Fig.#	Chamber Type	Diaphragm #	Clamp #
GP2424	2	24/24	151-24	2464004
GP2430	2	24/30	151-30	CB30S1
GP3030	2	30/30	151-30	CB30S1



Fig. 2

Service Chambers

Part Number	Fig.#	Chamber Type	Diaphragm #
SC09	3	9	151-9
SC12	3	12	151-12
SC16	3	16	151-16
SC20	3	20	151-20
SC24	3	24	151-24
SC30	3	30	151-30



Fig. 3

Brake Parts

Part Number	Fig.#	Description
CF2	4	1/2" Pin - 5/8" Threaded Clevis Pin, Forged
CS2	4	1/2" Pin - 5/8" Threaded Clevis Pin, Stamped
CF3	4	5/8" Pin - 5/8" Threaded Clevis Pin, Forged
PR30	5	5/8" Diameter Type 30 Pushrod
RS6	6	Type 20 - 24 - 30 Return Spring
RT1	7	Caging Release Stud
BA-1	8	Dust Boot Assembly



Fig. 4



Fig. 5



Fig. 6



Fig. 7



Fig. 8

